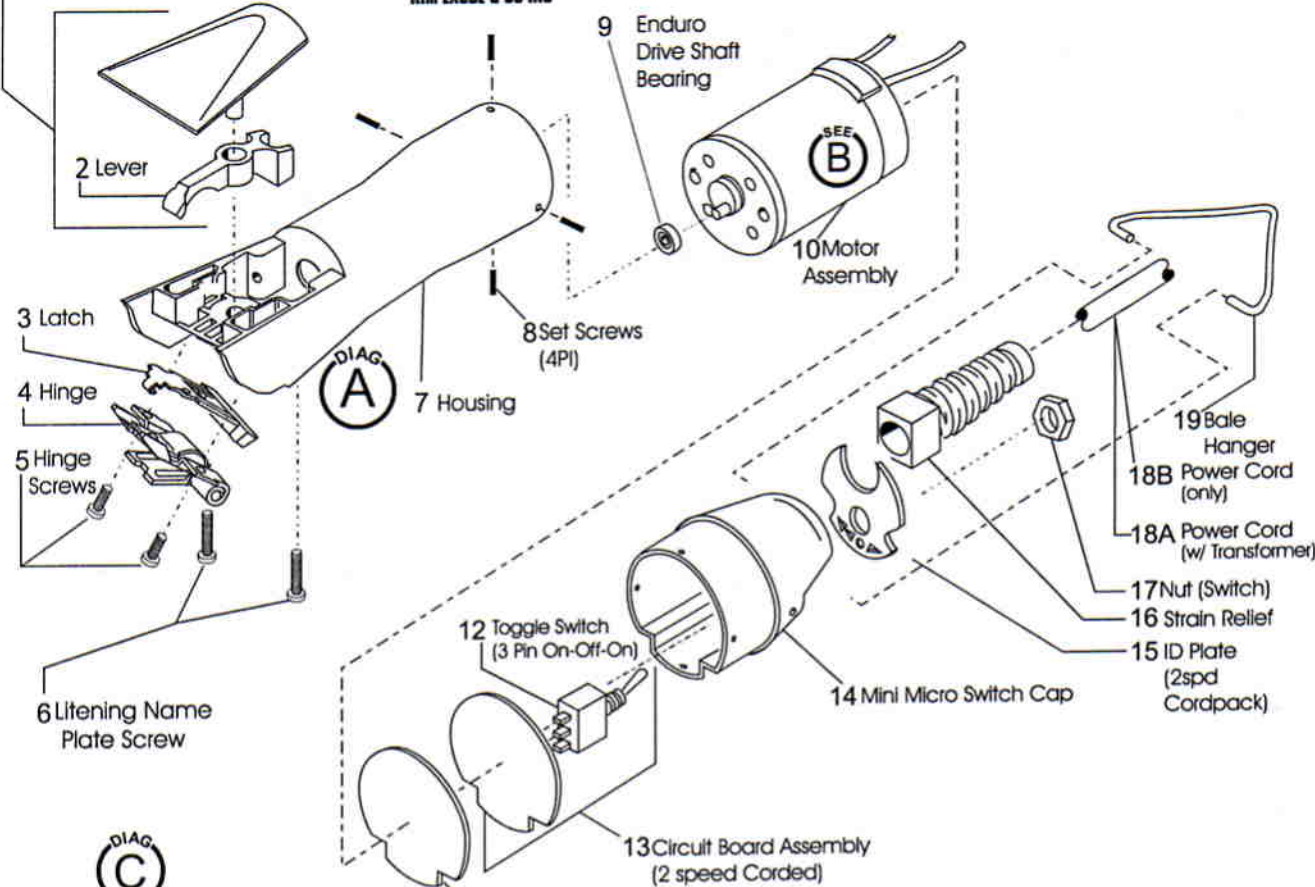


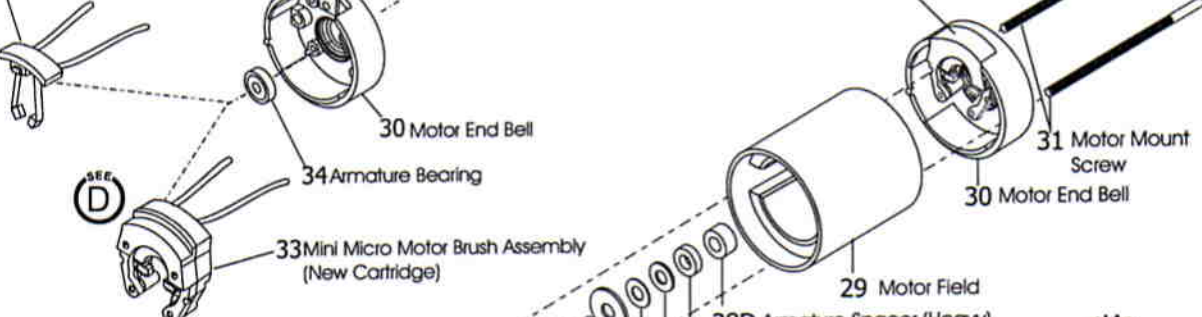
1 Name Plate Assembly



DIAG A

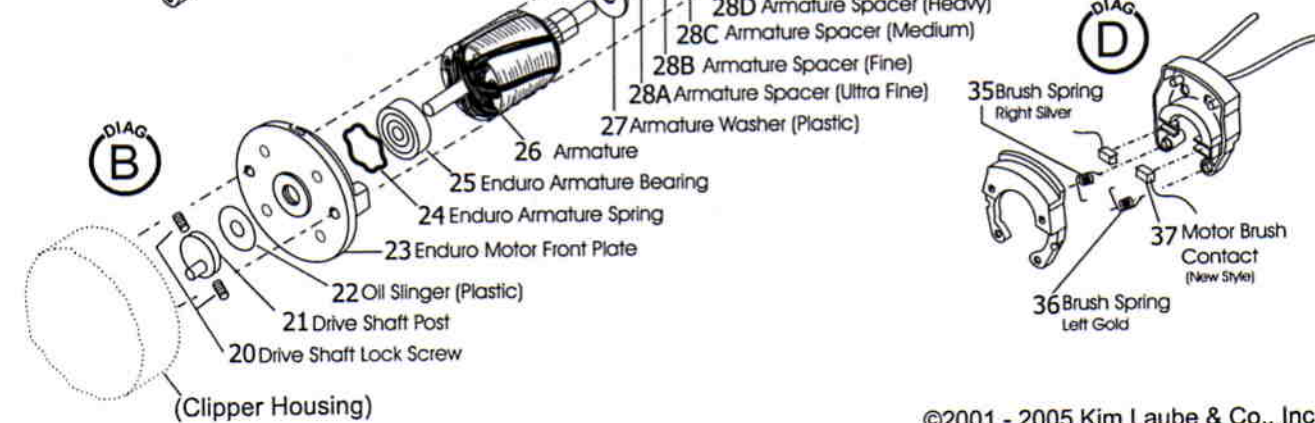
DIAG C

32 Mini Micro Motor Brush Assembly (Original Cantilever)



SEE D

DIAG D



DIAG B

Kim Laube & Co Inc
2221 Statham Blvd
Oxnard, CA. 93033
800-451-1355 805-240-1300
805-240-1301 FAX
www.kimlaubeco.com



LAUBE 821 LITENING

MODEL #LA82110101 JANUARY 1, 2005



	ITEM	PART#	REQD	DESCRIPTION
A	1	SE5110030	1	Litening Name Plate Assembly (with Lever)
	2A	SE5110040000	1	Lever Last" Clipper Lever
	2B	SE5135032		Lever Last" Clipper Lever 25 Pack
	2C	SE5135042		Lever Last" Clipper Lever 100 Pack
	3A	SE5110020	1	Clipper Latch (Litening)
	3B	SE5110025		Clipper Latch ((Litening)) 50 Pack
	4A	SE5100050000	1	Hinge Assembly (Ribbed)
	4B	SE5100100000		Hinge Assembly (Ribbed) 50 Pack
	5	SE5100090000	2	Hinge Screw (Litening)
	6	SE5100020000	2	Name Plate Screw
	7	SE7400010001	1	Litening Housing
	8	SE7100090000	4	2/56 X 1/4 Socket Set Screws
	9a	SE5141000000	1	Enduro Drive Shaft Bearing
	9b	SE5110000		Enduro Drive Shaft Bearing 50 Pack
	10	SE7300030000	1	Mini Micro Motor Assembly
	11	SE7210060000	1	Solid Spacer (Micro)
	12	SE5210120000	1	Toggle Swithch (3pin on off on)
	13	SE5210000000	1	Switch / Circuit Board Assembly (2 Speed)
	14	SE7400110001	1	Switch Cap (Litening)
15	UA11707	1	ID Plate Mini Micro (2 Speed)	
16	SE5230010000	1	Power Cord Strain Relief	
17	SE5200030000	1	Nut (Switch)	
18A	SE50266303	1	Transformer 110/220v 50-60Hz USA Plug (18' Cord)	
18B	SE5230000000	1	Power Cord Assembly (Quick Disconnect)	
19	SE7200020000	1	Bale Hanger	
B	20	SE5120020000	2	Drive Shaft Lock Screw
	21	SE5120010000	1	Drive Shaft Post
	22	SE5121080000	1	Oil Slinger (Plastic) 12 Pack
	23	SE7140010000	1	Motor Front Plate (Mini Micro)
	24	SE5120040000	1	Enduro Armature Washer Spring
	25	SE5140040000	1	Enduro Armature Bearing
	26	SE7120060000	1	Armature (Mini Micro)
	27	SE5120070000	1	Armature Washer (Plastic)
	28A	SE5120080000	1	Armature Spacer (Ultra Fine - As Needed)
	28B	SE5120090000	1	Armature Spacer (Fine - As Needed)
	28C	SE5120100000	1	Armature Spacer (Medium - As Needed)
	28D	SE5120110000	1	Armature Spacer (Heavy - As Needed)
	29	SE7120120000	1	Motor Field For Mini Micro Clipper
30	SE7121040000	1	Motor End Bell (Mini Micro)	
31	SE5100080000	2	Motor Mount Screw	
C	32	SE7121010000	1	Mini Micro Motor Brush Assembly (Original Cantilever)
	33	SE5120150000	1	Mini Micro Motor Brush Assy (New Cartridge)
	34	SE5120050000	1	Armature Bearing
D	35	SE712101002	1	Brush Spring Micro Silver Right
	36	SE712101003	1	Brush Spring Gold Micro Left
	37	SE5121010001	2	Motor Brush Contact (New Style)

Accessories

LA50266100	Universal Transformer 100-240v 50-60Hz (Quick Disconnect)
SE5135002	Lever Last" 6 Pack (CLIPPER)
SE5135025	Lever Last" 6 Pack (CLIPPER) 25 Pack
SE5135100	Tune Up Kit (Litening Clipper)
SE5135110	Tune Up Kit (Litening Clipper) 25 Pack
SE5141000	Laube Clipper Grease (1oz bottle)
SE5142000	Scented Clipper Oil (1oz bottle)