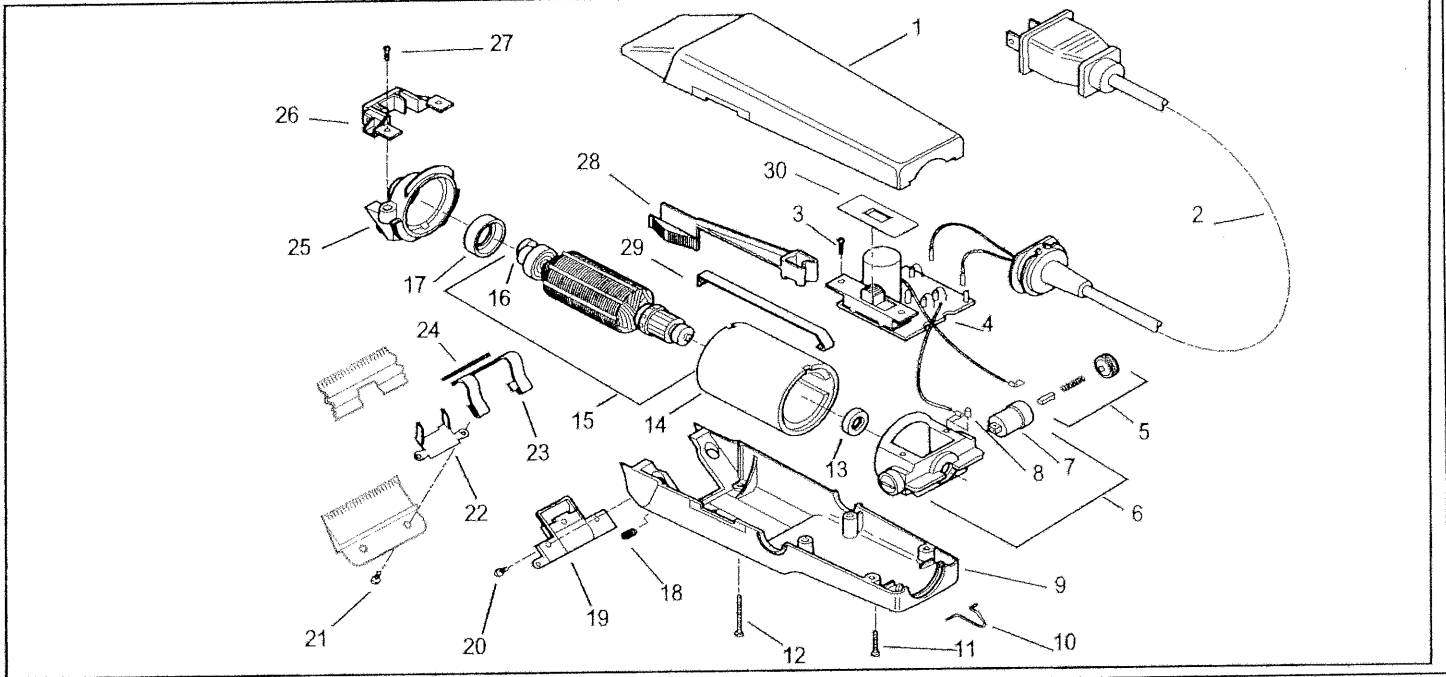




2 SPEED MODEL AG2 CLIPPER  
 SUPER 2 SPEED MODEL AG2 CLIPPER  
 2 SPEED MODEL BG2 CLIPPER  
 GOLD 2 SPEED MODEL BG2 CLIPPER  
 120 VOLT



ITEM NO.	PART NO.	DESCRIPTION	QTY. REQ'D
1		Upper Housing	
1a	27005	AG2 Upper Housing	1
1b	22244	BG2 Upper Housing	1
1c	22280	BG2 Gold Upper Housing	1
1d	22212	Super AG2 Upper Housing	1
2		Cord Set	
2a	21790	Cord Set (AG2 USA/CSA)	1
2b	21164	Cord Set (BG2 UL/CSA)	1
3	21692	Screw	2
4	20024	Speed Control - 2 speed	1
5	21936	Brush Repair Kit	1
6	21766	Brush Housing (Incls items 7 and 8)	1
7	21765	Brush Holder	1
8	21021	Set Screw	2
9		Lower Housing	
9a	27263	AG2 Lower Housing USA	1
9b	27271	AG2 Lower Housing CSA	1
9c	22163	BG2 Lower Housing UL	1
9d	22658	Super AG2 Lower Housing USA	1
9e	27269	Super AG2 Lower Housing CSA	1
10		Hanger Bail	
10a	25018	Hanger Bail	1
10b	22273	Hanger Bail - Gold	1
11		Rear Housing Screw	
11a	21050	Rear Housing Screw	2
11b	22275	Rear Housing Screw (Black)	2
12		Front Housing Screw	
12a	21048	Front Housing Screw	2
12b	22274	Front Housing Screw (Black)	2

ITEM NO.	PART NO.	DESCRIPTION	QTY. REQ'D
13	21067	Small Bearing Mounting Ring	1
14		Field Assembly	
14a	27352	Field Assembly AG2	1
14b	22453	Field Assembly Super AG2	1
15		AGE Armature assy	
15a	27072	AG2 Armature Assy - USA (inc. item #16a)	1
15b	21977	AG2 armature assy - CSA (inc. item 16b)	1
16		Cam and Bearing Assy	
16a	27251	Metal Cam & Bearing Assy (AG2 USA)	1
16b	21976	Plas. Cam/Bearing Assy (BG2 UL)	1
17	21068	Large Bearing Mounting Ring	1
18	21014	Blade Retaining Spring	1
19		Hinge Assembly	
19a	S21743	Hinge Assy (BG & Oster 76 & 89)	1
19b	S27091	Hinge Assy (BG & Oster 10, 22, 111)	1
19c	S27164	Hinge Assy (AG2 & Super AG2)	1
20	27861	Blade Hinge Screw	2
21	64139	Blade Screw	2
22	64003	Blade Bracket	1
23	64013	Tension Spring	1
24	64027	Blade Guide	1
25	27181	Front Motor Frame Assy	1
26	22319	Blade drive Assembly	1
27	15766	Blade Drive Screw	2
28	21452	Switch Actuating Arm	1
29	27198	Motor Frame Retaining Clip	2
30	21063	Insulator	1

**IMPORTANT INFORMATION**

When ordering repair parts, include part number, part name and model of trimmer. For best performance, trimmer blades should be CLEANED and OILED with Andis Clipper Oil before and after use. If repair is necessary, return to any Andis Authorized Repair Service Station, or to Andis Company, 1800 Renaissance Blvd., Sturtevant, Wisconsin, 53177 U.S.A.. Pack carefully, mail either Insured Parcel Post, or U.P.S. , attach a letter to outside of package explaining difficulty.